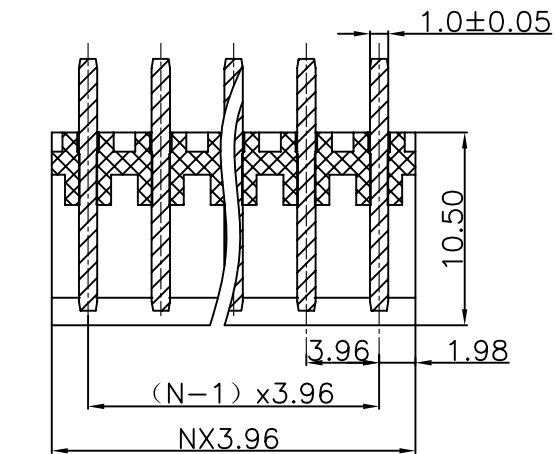


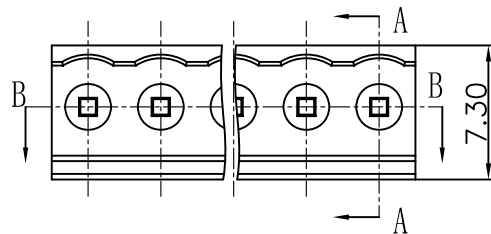
REVISION RECORD				
REV	ECO	DESCRIPTION	DRFT	DATE
△		Drawing emend	Home	04/17/06*
△		增加环保标示	YeJ	10/30/07*

Notes

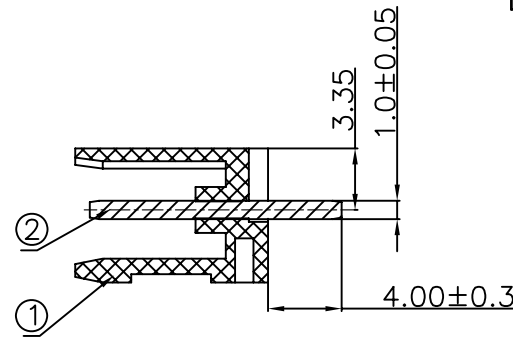
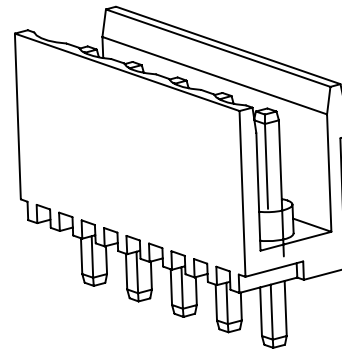
- pitch: 3.96mm          poles:2-24p
- Rated voltage:          300V
- Rated current:          15A
- Insulation resistance: 5000MΩ/DC1000V
- Withstanding voltage: AC2000V/1Min
- Temp. Range:          -40° C~+105° C
- Undimensioned Tolerances:



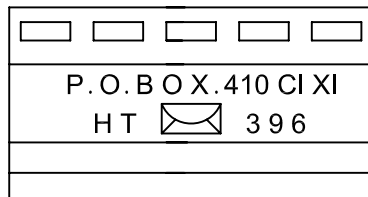
SECTION B-B



SECTION A-A



Pitch range in mm		Nominal dimension range in mm						
to 6	over 6 to 10	over 10 to 24	to 6	over 6 to 30	over 30 to 90	over 90 to 200	over 200 to 480	∩
±0.10	±0.15	±0.25	±0.1	±0.2	±0.3	±0.5	±0.7	◇



2	2EDGV-pin (1.0*13.7)	1007B00010 (H)	XX	Brass	SnCe																		
1	HT396V Housing	1013A0YXXA (H)	1	PA66	UL94V-0																		
ITEM	NAME OF PART	NO. OF PART	Q'TY	MATERIAL	NOTES																		
<table border="1"> <thead> <tr> <th>MM (INCH)</th> <th>TOLERANCES EXCEPT AS NOTED</th> </tr> </thead> <tbody> <tr> <td>.0 ±</td> <td>±</td> </tr> <tr> <td>.00 ±</td> <td>±</td> </tr> <tr> <td>.000 ±</td> <td>±</td> </tr> </tbody> </table>		MM (INCH)	TOLERANCES EXCEPT AS NOTED	.0 ±	±	.00 ±	±	.000 ±	±	<table border="1"> <thead> <tr> <th>MM</th> <th>DATE</th> </tr> </thead> <tbody> <tr> <td>DFTO Zhuwm</td> <td>01/11/05</td> </tr> <tr> <td>CHKD</td> <td>DATE</td> </tr> <tr> <td>MFO</td> <td>DATE</td> </tr> <tr> <td>APPVL</td> <td>DATE</td> </tr> </tbody> </table>		MM	DATE	DFTO Zhuwm	01/11/05	CHKD	DATE	MFO	DATE	APPVL	DATE	宁波高正电子有限公司 DEGSON ELECTRONICS CO., LTD	
MM (INCH)	TOLERANCES EXCEPT AS NOTED																						
.0 ±	±																						
.00 ±	±																						
.000 ±	±																						
MM	DATE																						
DFTO Zhuwm	01/11/05																						
CHKD	DATE																						
MFO	DATE																						
APPVL	DATE																						
DETACHED LISTS		G.E :		NAME																			
ANGLES ± 1'		FINISH :		HT396V-3.96-XXP-1Y-00A(H)																			
THIRD ANGLE PROJECTION		SCALE : 1:1		DRAWING NO. HT396V-E03																			
		DO NOT SCALE DRAWING		SIZE A3																			
		SHEET 1		REV T2 10/30/07*																			
		OF 1																					