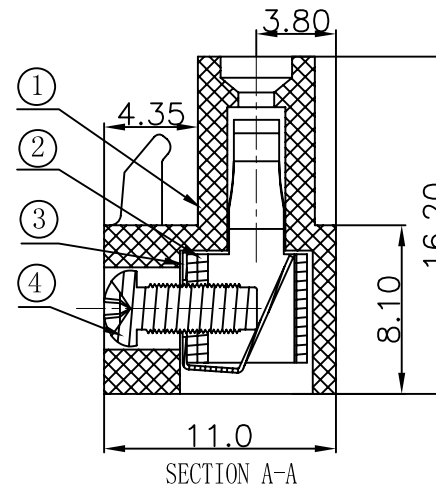
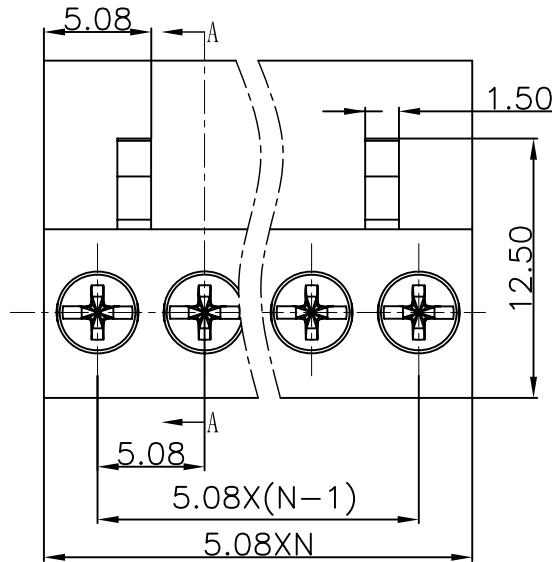
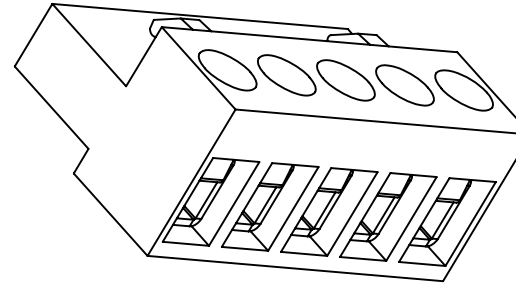
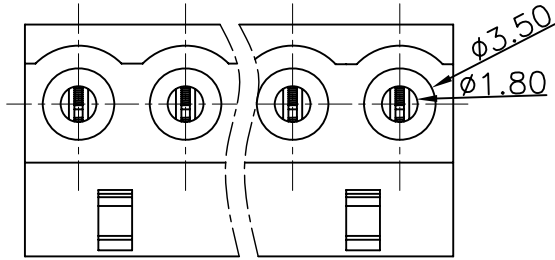


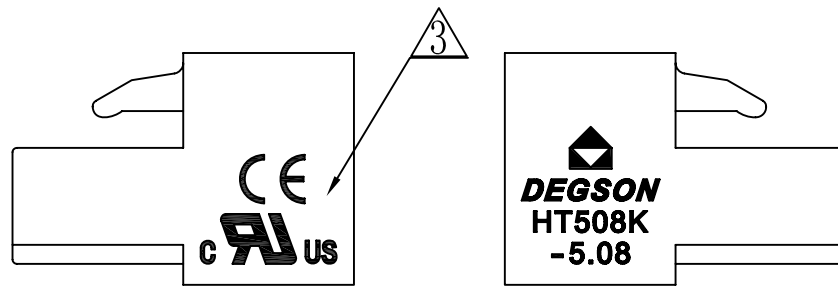
REVISION RECORD					
REV	ECO	DESCRIPTION	DRFT	DATE	
△		Drawing emend	Home	03/27/06	H
△		增加环保标示	Ye j	10/30/07	H
△		增加UL、CE标志	CSX	04/01/08	H
△		修改夹子料号	CSX	05/09/08	H



Notes:

- Pitch: 5.08mm, Poles: 2-24P
- Rated voltage/current: UL 150V/12A
IEC 250V/24A
- Operation temperatures: -40°C ~ +105°C
- Withstanding Voltage: AC2000V/1min
- Insulation Resistance: 5000MΩ / DC1000V
- Wire Range: 28~12AWG, 2.5mm²
- Max. Torque Value: M2.5 4.08kgf.cm
- Undimensioned Tolerances:

Pitch range in mm	Nominal dimension range in mm						—
	over 6 to 10	over 10 to 24	over 30 to 60	over 60 to 100	over 100 to 150	over 150	
to 6	±0.10	±0.15	±0.25	±0.2	±0.3	±0.5	±0.7
to 10							±1.0
to 24							±1.0
to 30							±1.0
to 60							±1.0
to 100							±1.0
to 150							±1.0
to 150							±1.0



4	HT508 "T" SCREWS	S000000670 (H)	XX	STEEL	Ni Plated
3	HT508 CONTACT	X000000400 (H)	XX	PHOSHOR BRONZE	Ni Plated
2	HT508 CLAMP	1025B000030 (H)	XX	PHOSHOR BRONZE	Ni Plated

ITEM	NAME OF PART	NO. OF PART	Q'TY	MATERIAL	NOTES
1	HT508K Housing	1025A0YXXA (H)	1	PA66	UL94V-0
DETAILED TOLERANCES EXCEPT AS NOTED		DFTO: Zhuwm DATE 08/07/04		宁波高正电子有限公司 DEGSON ELECTRONICS CO., LTD	
MATERIAL :		NAME		HT508K-5.08-XXP-1Y-00A(H)	
FINISH :		DRAWING NO.		HT508K-E01	
SCALE : 1:1		SHEET 1		OF 1	