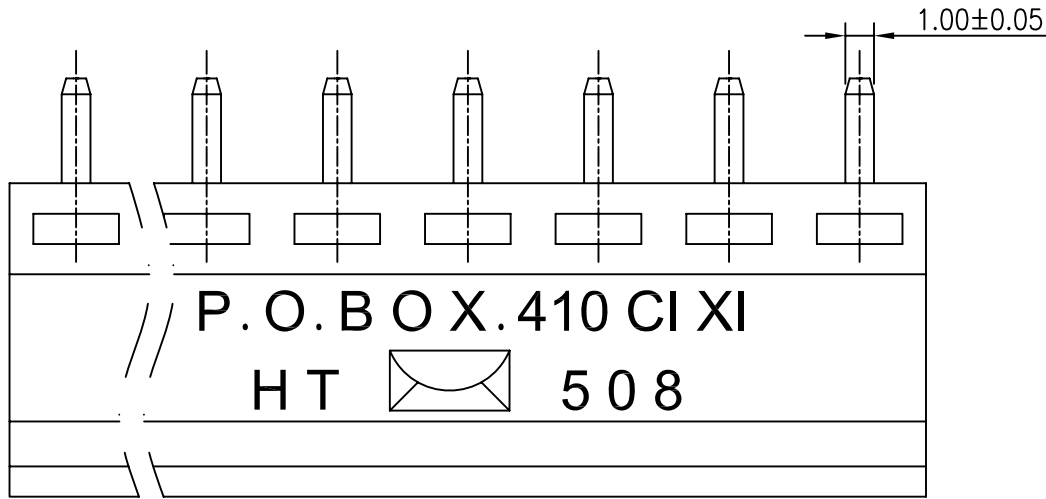


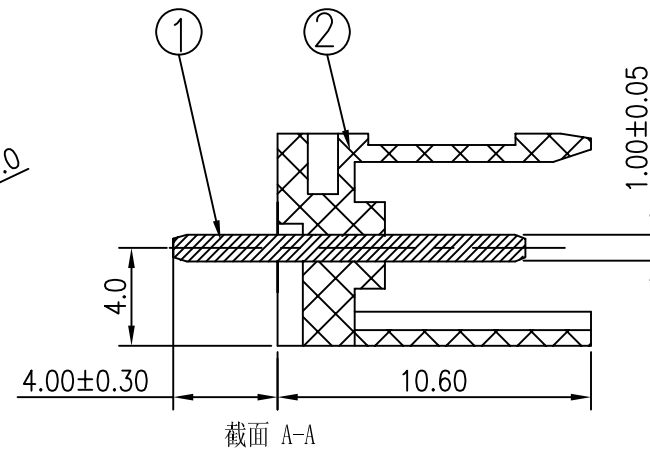
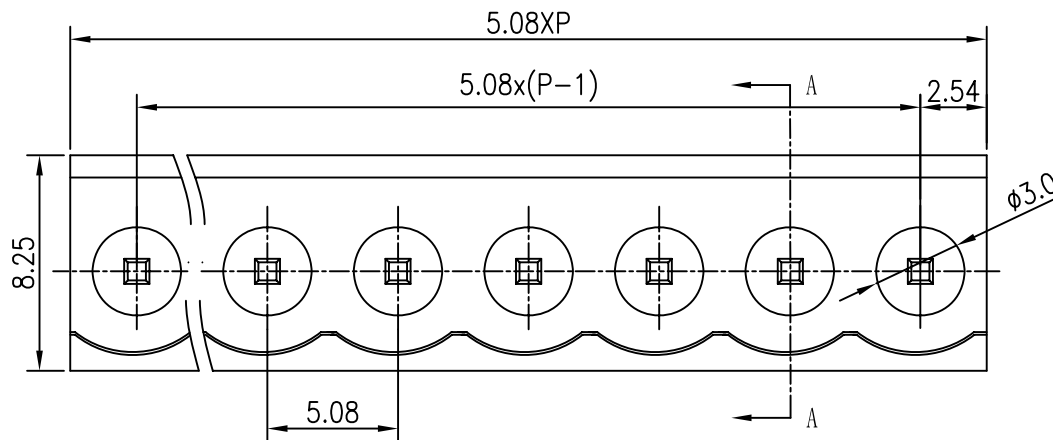
REVISION RECORD				
REV	ECO	DESCRIPTION	DRFT	DATE
△		Drawing emend	Home	04/17/06*
△		增加环保标示	Ye j	10/30/07*



Notes

1. pitch: 5.08mm poles: 2-24p
2. Rated voltage: 300V
3. Rated current: 15A
4. Insulation resistance: 5000MΩ/DC1000V
5. Withstanding voltage: AC2000V/1Min
6. Temp. Range: -40° C~+105° C
7. Undimensioned Tolerances:

Pitch range in mm		Nominal dimension range in mm				
to 6	over 6 to 10	over 10 to 24	over 24 to 30	over 30 to 90	over 90 to 200	over 200 to 480
±0.10	±0.15	±0.25	±0.1	±0.2	±0.3	±0.5
						±0.7 ^{0.05/0}



2	2EDGV Pin head(1.0X13.7)	1007B00030 (H)	XX	Brass	SnCe
1	HT508V Housing	1027A0YXXA (H)	1	PA66	UL94V-0
ITEM	NAME OF PART	NO. OF PART	Q'TY	MATERIAL	NOTES

DETACHED LISTS	MM (INCH)	DFTO Zhuwm	DATE 08/03/04	宁波高正电子有限公司 DEGSON ELECTRONICS CO., LTD		
	TOLERANCES EXCEPT AS NOTED	CHKD	DATE			
		MFO	DATE			
		APPVL	DATE			
	MM	±		NAME HT508V-5.08-XXP-1Y-00A(H)		
	.00 ±	±				
	.000 ±	±				
	ANGLES ± 1°	G.E :		DRAWING NO. HT508V-E01	SIZE A3	REV T2
	THIRD ANGLE PROJECTION	FINISH :		/PART NO.	10/30/07*	
		SCALE : 1:1		DO NOT SCALE DRAWING	SHEET 1	OF 1