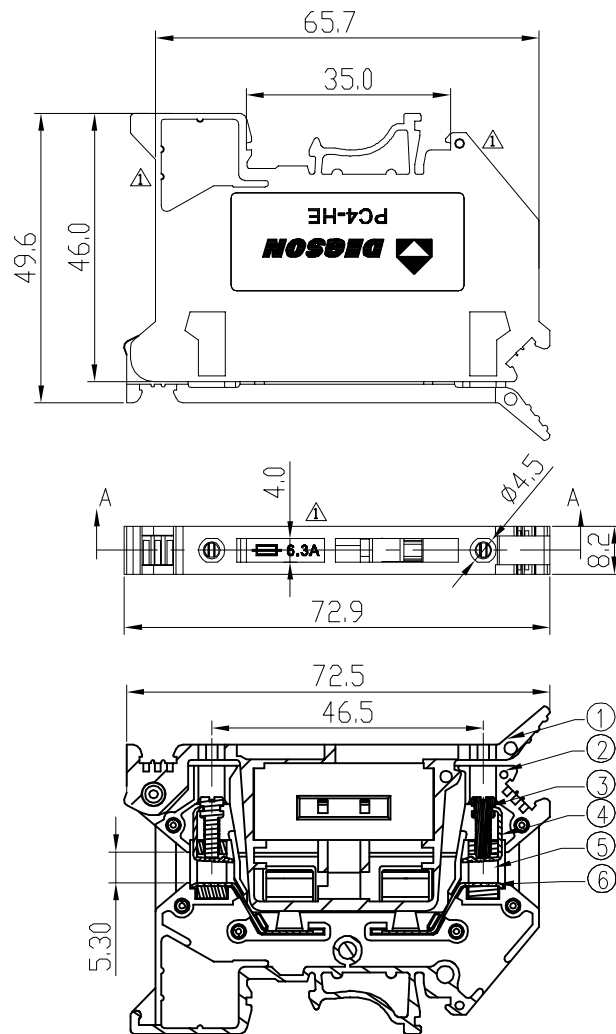


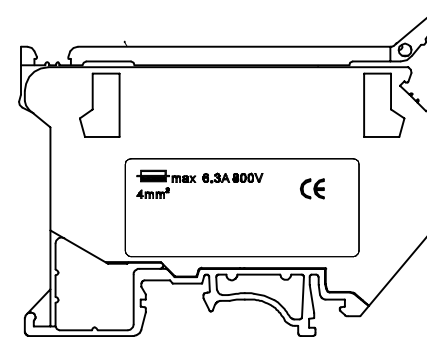
REVISION RECORD					
REV	ECD	DESCRIPTION	DRFT	DATE	
△		图面更新	LIN	09/12/08	



Notes:

1. Rated voltage :800V
2. Rated current :6.3A
3. Insulation resistance: 5000MΩ/DC1000V
4. Withstanding voltage : AC2000V/1Min
5. Temp. Range : -40° C~+105° C
6. Wire Range:24~12AWG
7. Max. Torque Value:5.10kgf.cm
8. Undimensioned Tolerances:

Pitch range in mm		Nominal dimension range in mm						—
	over 6	over 10	over 30	over 60	over 100	over 150	∩	
to	to 10	to 24	to 30	to 60	to 100	to 150	□	
±0.10	±0.15	±0.25	±0.2	±0.3	±0.5	±0.7	±1.0	
							0.005/10	



6	PC4-HE-Clamp	6090B00020 (H)	2	Phosphor bronze	Ni Plated
5	PC 4-Brass Cage	X000000630 (H)	2	Brass	Ni Plated
4	PC4-HE-Spring	6090B00010 (H)	2	Brass	Ni Plated
3	PC4-HE-Screw	S000002710 (H)	2	Brass	Ni Plated

2	PC4-HE-Body-Housing	6090A0Y01A (H)	1	PA66	UL94V-0																							
1	PC4-HE-Fuse-Housing	6090D0Y01A (H)	1	PA66	UL94V-0																							
ITEM	NAME OF PART	NO. OF PART	Q'TY	MATERIAL	NOTES																							
<table border="1"> <tr> <td>MM (INCH)</td> <td>DF TO LIN</td> <td>DATE 09/30/07'</td> </tr> <tr> <td>TOLERANCES EXCEPT AS NOTED</td> <td>CHKD</td> <td>DATE</td> </tr> <tr> <td></td> <td>MFD</td> <td>DATE</td> </tr> <tr> <td></td> <td>APPVL</td> <td>DATE</td> </tr> <tr> <td></td> <td colspan="2">MATERIAL :</td> </tr> <tr> <td></td> <td colspan="2">G.E. :</td> </tr> <tr> <td></td> <td colspan="2">FINISH:</td> </tr> <tr> <td></td> <td colspan="2">SCALE :</td> </tr> </table>		MM (INCH)	DF TO LIN	DATE 09/30/07'	TOLERANCES EXCEPT AS NOTED	CHKD	DATE		MFD	DATE		APPVL	DATE		MATERIAL :			G.E. :			FINISH:			SCALE :		宁波高正电子有限公司 DEGSON ELECTRONICS CO., LTD NAME: PC4-HE-01P-1Y-00A(H) DRAWING NO. PC4-HE-E01 /PART NO. SIZE A3 REV T1 09/12/08'		
MM (INCH)	DF TO LIN	DATE 09/30/07'																										
TOLERANCES EXCEPT AS NOTED	CHKD	DATE																										
	MFD	DATE																										
	APPVL	DATE																										
	MATERIAL :																											
	G.E. :																											
	FINISH:																											
	SCALE :																											
DO NOT SCALE DRAWING				SHEET 1	OF 1																							