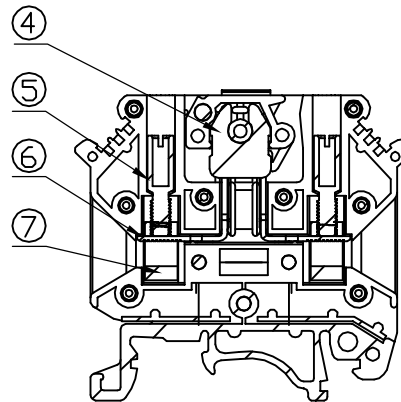
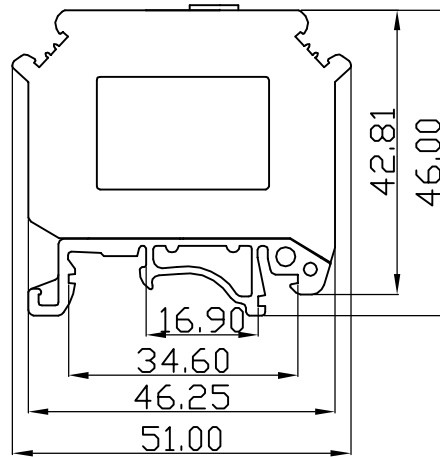
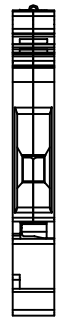
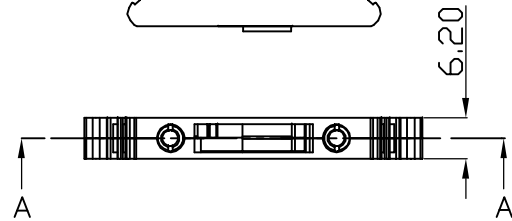
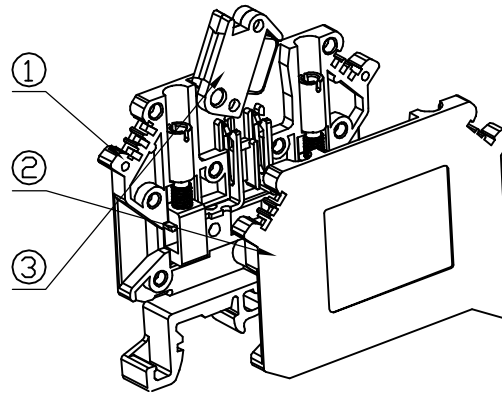
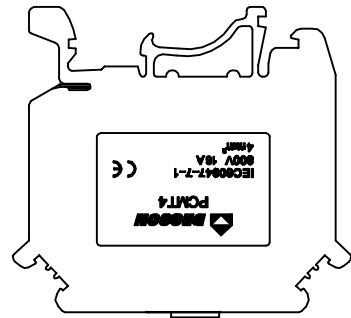


REVISION RECORD				
REV	ECD	DESCRIPTION	DRFT	DATE



SECTION A-A

Notes:

1. Rated voltage/current: UL1059 600V/15A
IEC 800V/16A
2. Operation temperatures: -40°C ~ +105°C
3. Withstand Voltage: AC3000V/1Min
4. Insulation Resistance: 5000MΩ / DC1000V
5. Wire Range: 24~12AWG, 4mm²
6. Max. Torque Value: M3, 5.10Kgf.cm
7. Undimensioned Tolerances:

Pitch range in mm		Nominal dimension range in mm					—
to	over	to	over	over	over	over	∩
6	6	10	10	30	60	100	◇
10	10	24	30	60	100	150	
±0.10	±0.15	±0.25	±0.2	±0.3	±0.5	±0.7	±1
							0.05/10

7	PCDK4-Brass cage	X000001840(H)	2	Brass	Ni Plated
6	PCMT4-Clamp	6146B00010(H)	2	Phosphor Bronze	Ni Plated
5	PCMT4 M3"-Screw	S000002860(H)	2	Brass	Ni Plated
4	PCMT4-Kinfe switch	6146B00020(H)	1	Brass	SnCe Plated
3	PCMT4-Kinfe box	6146D1501A(H)	1	PA66	UL94V-0
2	PCMT4-Housing two	6146A0Y01C(H)	1	PA66	UL94V-0

ITEM	NAME OF PART	NO. OF PART	Q'TY	MATERIAL	NOTES
1	PCMT4-Housing one	6146A0Y01A(H)	1	PA66	UL94V-0
TOLERANCES EXCEPT AS NOTED		DFTD ZYH	DATE	06/13/08'	
MM (INCH)		CHKD	DATE		
.0 ±		MFD	DATE		
.00 ±		APPVL	DATE		
.000 ±		MATERIAL :			
ANGLES ± 1°		G.E :			
THIRD ANGLE PROJECTION		FINISH:		DRAWING NO. PCMT4-E01	
SCALE :		DO NOT SCALE DRAWING		SIZE	REV TO
				A4	01/12/09
				SHEET 1	OF 1

DEGSON® 宁波高正电子有限公司
DEGSON ELECTRONICS CO., LTD

NAME
PCMT4-01P-1Y-00A(H)