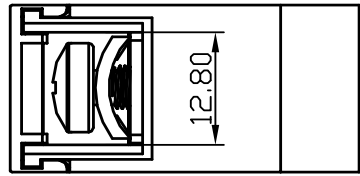
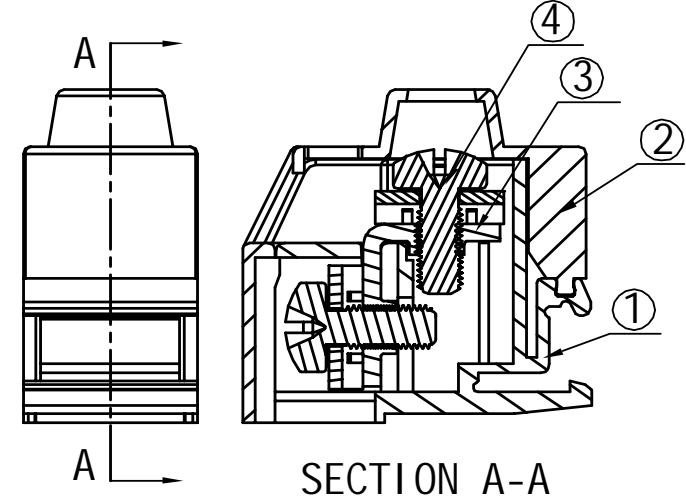
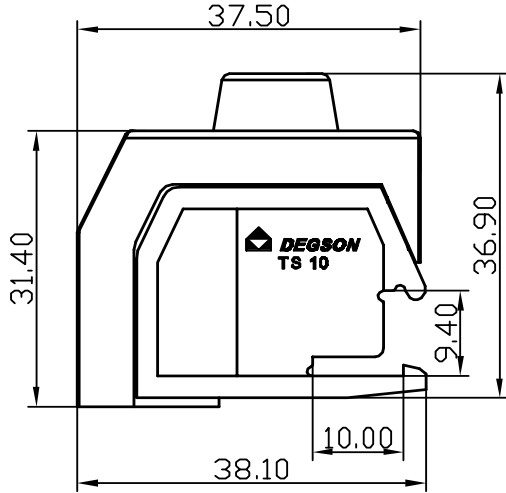
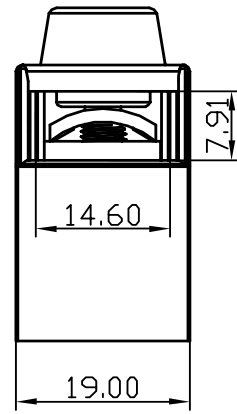
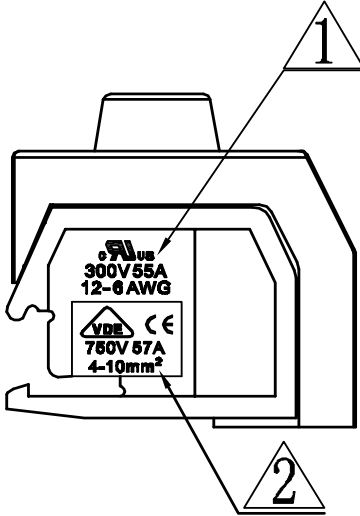
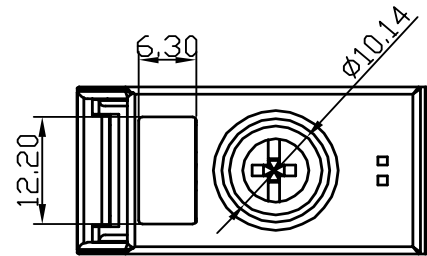


REVISION RECORD				
REV	ECD	DESCRIPTION	DRFT	DATE
△		增加刻字	LJH	03/20/08
△		增加VDE, CE刻字及参数	Zengy	06/30/08



Notes:

1. Poles: 1P
2. Rated voltage/current: UL 300V/55A
VDE 750V/57A
3. Operation temperatures: -40°C ~ +105°C
4. Withstanding Voltage: AC8000V/1min
5. Insulation Resistance: 5000MΩ / DC1000V
6. Wire Range: 12~6AWG , 4.0~10mm²
7. Max. Torque Value: M5.0 , 20.40kgf.cm
8. Undimensioned Tolerances:

Pitch range in mm			Nominal dimension range in mm					—
	over 6	over 10	to 30	to 60	to 100	to 150		
to 6	to 10	to 24	to 30	to 60	to 100	to 150	⌒ ▱	
±0.10	±0.15	±0.25	±0.2	±0.3	±0.5	±0.7	±1.0	0.05/10

4	TS10-SCREW(M5.0*12)	S000002550(H)	2	Steel	Cr ³⁺ Zn
3	TS10-Current Carrier	7005B00010(H)	1	Copper	SnCe
2	TS10-COVER	7005C0Y01A(H)	1	PA66	
1	TS10-HOUSING	7005A0Y01A(H)	1	PA66	
ITEM	NAME OF PART	NO. OF PART	Q'TY	MATERIAL	NOTES

<table border="1"> <tr> <td>MM (INCH)</td> <td>DFTD LYK</td> <td>DATE 07/10/07*</td> </tr> <tr> <td>TOLERANCES EXCEPT AS NOTED</td> <td>CHKD DATE</td> <td></td> </tr> <tr> <td></td> <td>MFD DATE</td> <td></td> </tr> <tr> <td></td> <td>APPVL DATE</td> <td></td> </tr> </table>	MM (INCH)	DFTD LYK	DATE 07/10/07*	TOLERANCES EXCEPT AS NOTED	CHKD DATE			MFD DATE			APPVL DATE		<p>DEGSON 宁波高正电子有限公司 DEGSON ELECTRONICS CO., LTD</p> <p>NAME TS10-01P-1Y-00A(H)</p> <p>DRAWING NO. TS10-E01 /PART NO.</p> <p>SIZE A3 REV T2 06/30/08*</p>
MM (INCH)	DFTD LYK	DATE 07/10/07*											
TOLERANCES EXCEPT AS NOTED	CHKD DATE												
	MFD DATE												
	APPVL DATE												
<table border="1"> <tr> <td>MM</td> <td>±</td> </tr> <tr> <td>.00 ±</td> <td>±</td> </tr> <tr> <td>.000 ±</td> <td>±</td> </tr> </table>	MM	±	.00 ±	±	.000 ±	±	<p>MATERIAL :</p> <p>ANGLES ± 1°</p> <p>G.E :</p> <p>FINISH:</p>						
MM	±												
.00 ±	±												
.000 ±	±												
<table border="1"> <tr> <td>THI</td> <td>11</td> </tr> </table>	THI	11	<p>DD NOT SCALF DPRAWING</p> <p>1 1</p>										
THI	11												